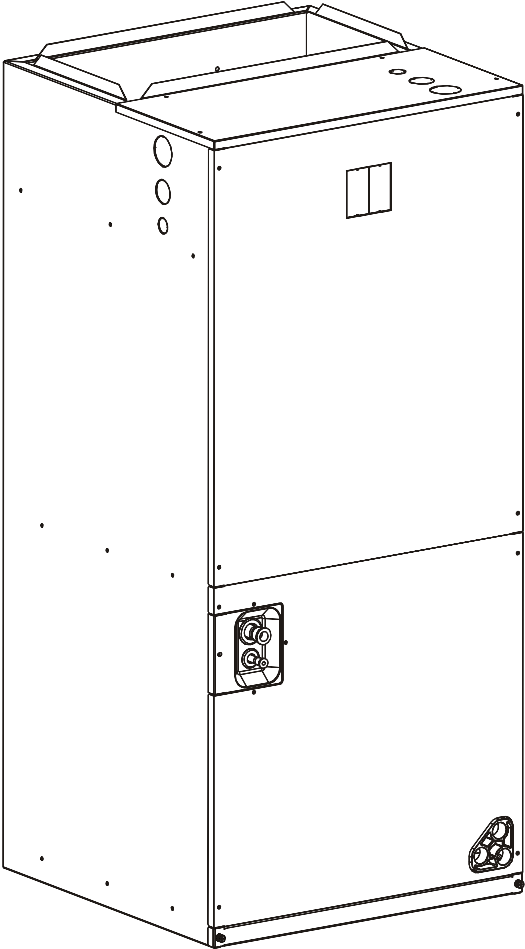


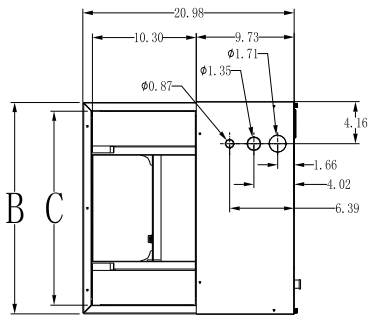
Submittal

3 Ton Capacity
Convertible Air Handler
E4AH5E36A1J30A



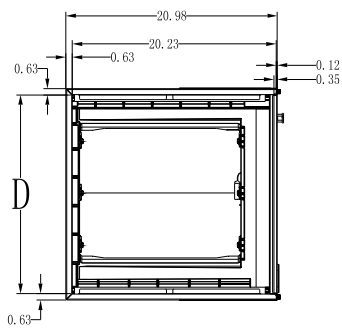
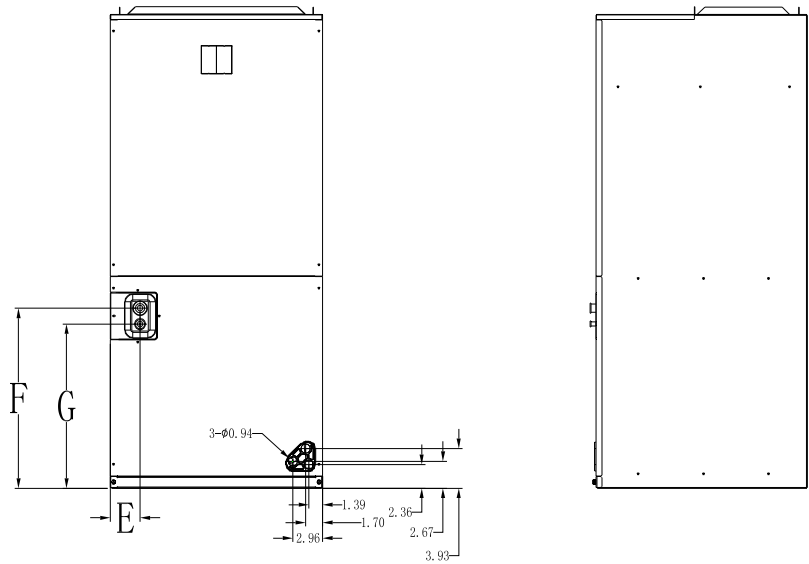
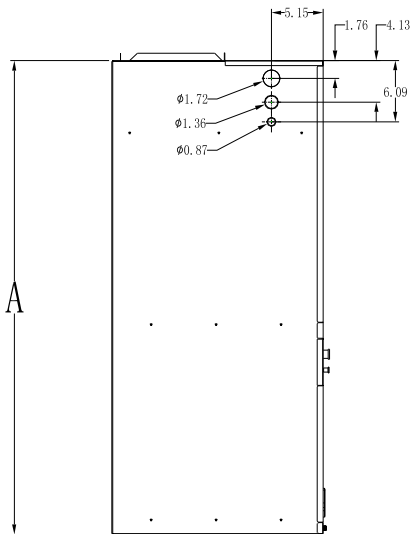
E4AH5E36A1J-SUB-1A-EN

Outline Drawing



MINIMUM UNIT CLEARANCE TABLE	
	SERVICE CLEARANCE (RECOMMENDED)
SIDES	6"
FRONT	6"
BACK	6"
INLET DUCT	6"
OUTLET DUCT	118"

NOTE: THIS UNIT IS APPROVED FOR INSTALLATION CLEARANCES TO COMBUSTIBLE MATERIAL AS STATED ON THE UNIT RATING NAMEPLATE



PRODUCT DIMENSIONS									
Air Handler Model	A	B	C	D	E	F	G	Flow Control	Gas Line Braze
E4AH5E36A1J30A	47.01	20.98	19.25	19.72	2.98	17.87	16.30	TXV	3/4"
All dimensions are in inches									

NOTE: ALL DIMENSIONS ARE REFERENCE DIMENSIONS

Product Specifications

MODEL	E4AH5E36A1J30A
RATED VOLTS/PH/HZ	208-230/1/60
RATINGS(a)	See O.D. Specifications
INDOOR COIL — Type	U ₂ / A ₂
Rows — F.P.I.	4-17
Face Area (sq. ft.)	3.70
Tube Size (in.)	1/4"
Refrigerant Control	TXV
Drain Conn. Size (in.)(b)	3/4" NPT
DUCT CONNECTIONS	See Outline Drawing
INDOOR FAN — Type	Centrifugal
Diameter-Width (In.)	12-1/4"-13"
No. Used	1
Drive - No. Speeds	Direct - 5
CFM vs. in. w.g.	See Fan Performance Table
No. Motors — H.P.	1 - 1/2
Motor Speed R.P.M.	1050
Volts/Ph/Hz	208-230/1/60
F.L. Amps	3.8
FILTER	
Filter Furnished? (c)	NO

REFRIGERANT	R-410A
Ref. Line Connections	Brazed
Coupling or Conn. Size — in. Gas	3/4"
Coupling or Conn. Size — in. Liq.	3/8"
DIMENSIONS	H x W x D
Crated (In.)	21"x46-1/2"x21"
Uncrated	23"x52"x24-1/2"
WEIGHT	
Shipping (Lbs.) / Net (Lbs.)	154/123

(a) These Air Handlers are A.H.R.I certified with various Split System Air Conditioners and Heat Pumps (AHRI STANDARD 210/240). Refer to the Split System Outdoor Unit Product Data Guides for performance data.

(b) 3/4" Male Plastic Pipe (Ref: ASTM 1785–76)

(c) Remote filter required.

Minimum Airflow CFM

E4AH5E36A1J30A	
Heater	Minimum Heat Speed Tap With Heat Pump
BAYHTR1605BRKA BAYHTR1610BRKA BAYHTR1615BRKA	Tap 3

Heater Pressure Drop Table

Airflow CFM	Number of Racks			Heater Racks	
	1	2	3	Heater Model	No. of Racks
	Air Pressure Drop — Inches W.G.				
1800	0.02	0.04	0.06	BAYHTR16 05BRKA	1
1700	0.02	0.04	0.06	BAYHTR16 10BRKA	2
1600	0.02	0.04	0.06	BAYHTR16 15BRKA	3
1500	0.02	0.04	0.06		
1300	0.02	0.04	0.06		
1200	0.01	0.04	0.05		
1100	0.01	0.03	0.05		
1000	0.01	0.03	0.05		
900	0.01	0.03	0.04		
800	0.01	0.03	0.04		
700	0.01	0.02			
600	0.01	0.02			

Performance and Electrical Data

See product data or air handler nameplate for approved combinations of air handlers and heaters.

Table 1. Air Flow Performance

E4AH5E36A1J30A					
EXTERNAL STATIC (in w.g)	AIRFLOW				
	Speed Taps: 208 – 230 VOLTS				
	Tap 1	Tap 2	Tap 3	Tap 4	Tap 5
0.1	756	872	1084	1240	1412
0.2	651	796	1035	1192	1366
0.3	594	716	979	1149	1320
0.4	525	653	896	1077	1274
0.5	453	598	835	1006	1194
0.6	355	527	777	939	1167
0.7	270	460	724	888	1072
0.8	210	380	670	832	1027

1. Values are with dry coil, no filter, and no heaters
 2. CFM Correction for dry coil = Reduce 3%

Table 2. Electrical Data

E4AH5E36A1J30A											
Heater Model No.	No. of Circuits / Phases	230 Volt					208 Volt				
		Capacity		Heater Amps per Circuit	Minimum Circuit Ampacity	Maximum Overload Protection	Capacity		Heater Amps per Circuit	Minimum Circuit Ampacity	Maximum Overload Protection
		KW	BTUH				KW	BTUH			
No Heater				3.8*	5	15			3.8*	5	15
BAYHTR 1605BRKA	1/1	5	17000	20	25	30	3.75	12800	18	23	25
BAYHTR 1610BRKA	1/1	10	34000	40	50	60	7.5	25500	36	45	50
BAYHTR 1615BRKA	1/1	5 + 15	51000	20+40	25+50	30+60	3.75 + 7.5	38500	18+36	23+45	25+50

* = Motor Amps

Features and Benefits

- Galvanized metal cabinet with captured foil face insulation
- 2% or less air leakage
- R-4.2 Insulating Value
- Multi-Position UP, Horizontal Left /Right
- Copper-Aluminum Coils
- Electric Heaters with polarized plug connections (sold as accessory)
- R-410A Thermal Expansion Valve
- ECM Motor (**2.0 – 5 Ton Models**)
- Low Voltage Pigtail Connections
- Draw Through Design
- Vertical and Horizontal Drain pan
- Single Color
- Fused 24V Power
- **5 year warranty**
- **Optional extended warranty available**

About Trane and American Standard Heating and Air Conditioning

Trane and American Standard create comfortable, energy efficient indoor environments for residential applications. For more information, please visit www.trane.com or www.americanstandardair.com.



The manufacturer has a policy of continuous data improvement and it reserves the right to change design and specifications without notice. We are committed to using environmentally conscious print practices.